

1. Function:

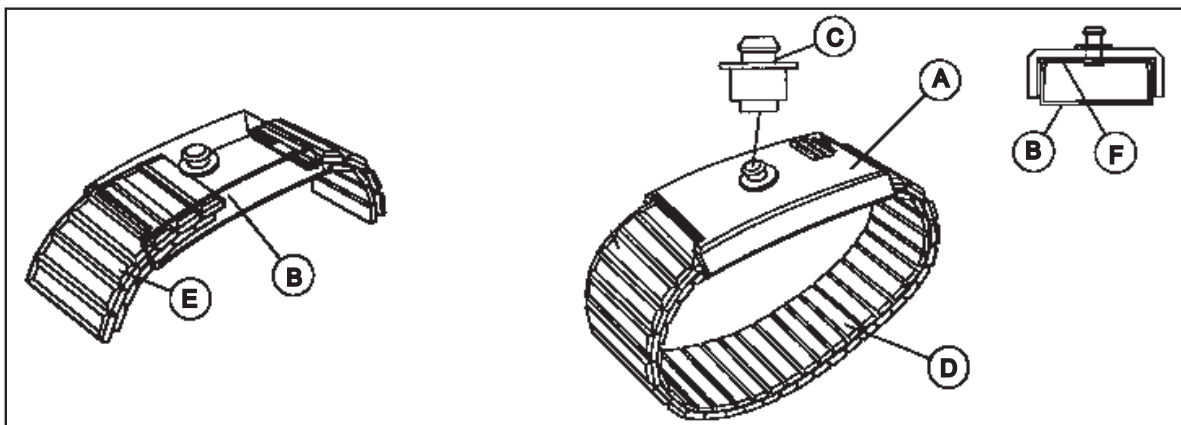
ESD Wrist Straps are the most common personal grounding device used in the Electrostatic Discharge Control or ESD Control industry. Why use a Wrist Strap ? Since ungrounded people are often the biggest cause of ESD damage, wrist straps are the first line of defence in ESD control. Seated operators must wear wrist straps. All operators that handle un-packaged ESD sensitive items must be grounded.

2. Standards:

Meets ESD S1.1 cuff resistance interior = 100 Kilohms (1×10^2 Ohms)
 Meets ESD S1.1 cuff resistance exterior = 10 Megohms (1×10^7 Ohms)

3. Specifications:

- A. Nylon cap with slotted opening to allow size adjustment.
- B. 304 Stainless Steel Backplate forms channel to hold up to 10 links of band allowing size adjustment.
- C. 4mm snap stud from 304 Stainless Steel. Fits to 4mm spring loaded type socket.
 Coil cord disengages from snap with perpendicular force.
- D. Premium metal expansion wrist strap. Inside links are constructed of 304 Stainless Steel.
 Width of links is 0.630".
- E. Size is adjusted by sliding 1 to 10 links of the band into the backplate "U" channel.
- F. 304 Stainless Steel clip for electrical contact between snap stud and backplate.



4. Part Numbers:

Part #	Description	Min. Circumference	Max. Circumference
AR-260-B	Band only	6.50 in	13 in
AR-260-C10	Band, 10 ft cord & angle banana	5.75 in	13 in